

Stereo Jack Series

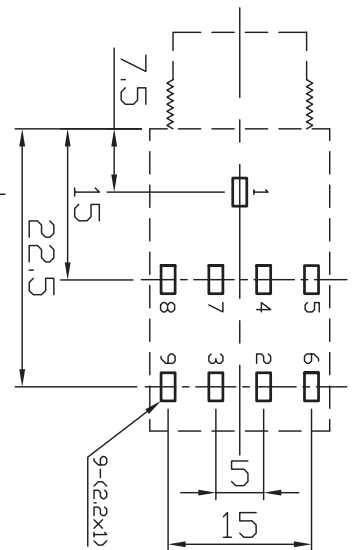
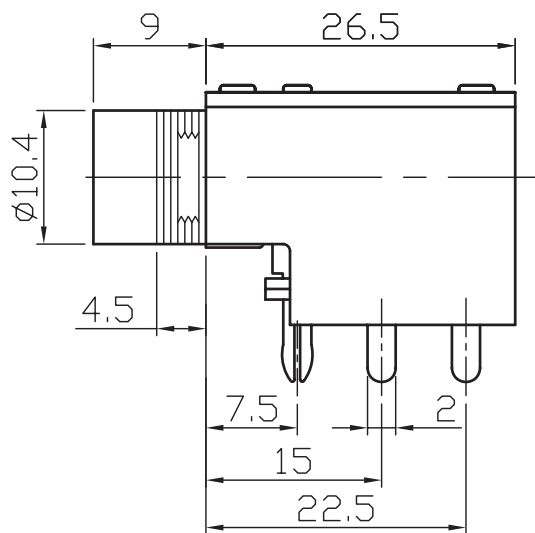
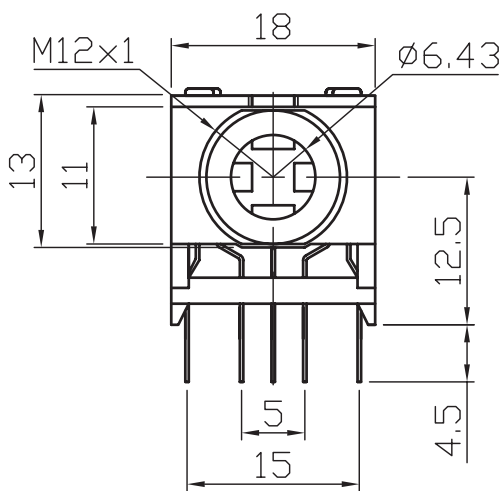
KLS1-TG6.3-012A (Stereo Jack Series)

Technical parameters:

Technical parameters:
 Contact resistance: 0.03Ω, max
 Insulation resistance: 100MΩ, min
 Rated Load: DC 50V 1A
 Withstand voltage: 500V AC / 1 minute/50Hz
 Insertion Force :5-40 N
 Life: 5000 times
 Operating Temperature:-30°C ~ 70°C

Material:

Housing: PC
 Contacts: copper



| | | | | | | | | | |
|------------|-------------|-------------|-------------|-------------|-------------|-------------|-------------|-------------|-------------|
| | | | | | | | | | |
| TG6.3-012A | TG6.3-012AA | TG6.3-012AB | TG6.3-012AC | TG6.3-012AD | TG6.3-012AE | TG6.3-012AF | TG6.3-012AG | TG6.3-012AH | TG6.3-012AI |

ORDER INFORMATION

Product NO.: KLS1-TG6.3-012AA

Pos. NO.

Schematic: See Annex

6.3mm Stereo Jack Series